

Swivel Clamp Connector Bases

Aluminum / Stainless Steel

SPECIFICATION

Aluminum

- Powder coated
Black, RAL 9005, textured finish **SW**
- Plain, matte shot-blasted **BL**

Stainless steel AISI CF-8 **NI**

Matte shot-blasted

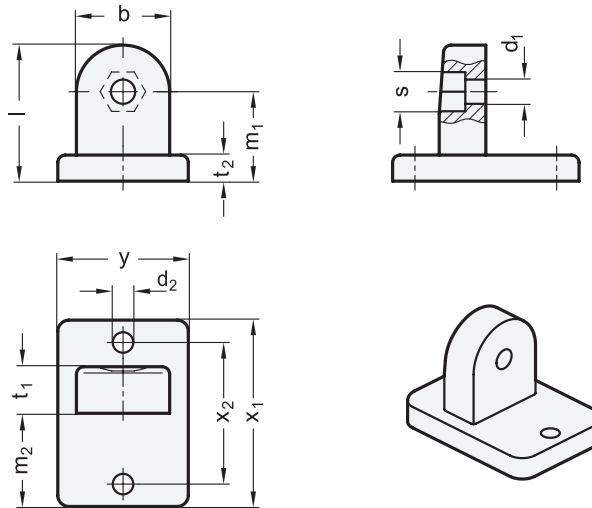
INFORMATION

Swivel clamp connector bases GN 271 can be combined with swivel clamp connectors GN 273 (see page 1849), GN 275 (see page 1854) or GN 277 (see page 1855) to swivel clamp connector joints.

Swivel clamp connector bases GN 271 can also be mounted to **profile systems**.

TECHNICAL INFORMATION

- Stainless Steel Characteristics (see page A26)



* Complete with

SW **BL**
RAL9005 Plain

GN 271-AL

Description	b	d1	d2	l	m1	m2	t1	t2	s	x1	x2	y	⚖
GN 271-25-*	25	6.5	5.5	36.5	24	25	12.5	7	10	50	38	35	44

Weight SW

GN 271-NI

STAINLESS STEEL

Description	b	d1	d2	l	m1	m2	t1	t2	s	x1	x2	y	⚖
GN 271-25-NI	25	6.5	5.5	36.5	24	25	12.5	7	10	50	38	35	44